



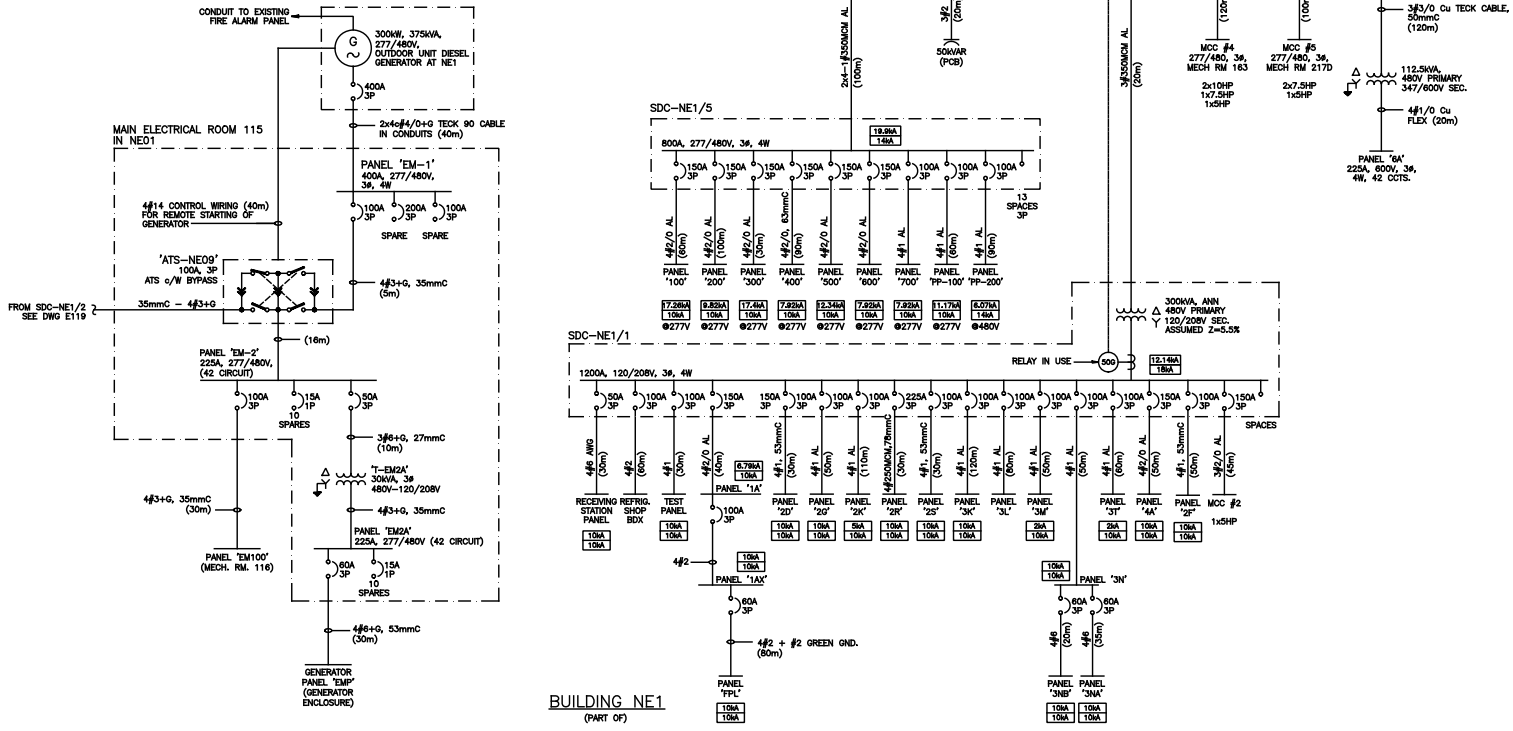
SUBSTATION 'N'

PDC-N/1

2000A, 277/480V, 3ø, 4W

CONTINUED FROM PDC-N/1 SEE REF. DWG. E119

CONTINUED ON TO PDC-N/2 SEE REF. DWG. E121



BUILDING NE1 (PART OF)

S:\NINE-1114739\B-1114739-1\LINE\ARCH\000\ELECT\E111 TO E121.DWG  
Friday, March 20, 2008 7:56:52 PM

| NO. | DATE       | REVISION          | APP'D | REV'D | DATE | REVISION | APP'D | DWG. No. | REFERENCE |
|-----|------------|-------------------|-------|-------|------|----------|-------|----------|-----------|
| P1  | 2008/03/19 | ISSUED FOR REVIEW |       | FS    |      |          |       |          |           |



|                                |                    |                     |
|--------------------------------|--------------------|---------------------|
| SANDWELL PROJECT NO.<br>114739 | DATE<br>2008/03/19 | SCALE<br>NONE       |
| DESIGNER<br>LT                 | DESIGN<br>CHECK    | DRAWING CHECK<br>MB |



|  |                             |
|--|-----------------------------|
| PROJECT NAME<br>B.C. INSTITUTE OF TECHNOLOGY<br>SINGLE LINE DIAGRAM          | SHEET NO.<br><b>E120</b>    |
| SHEET TITLE<br>NORTH CAMPUS - SUBSTATION 'N'<br>BUILDING NE1<br>SHEET 2 OF 3 | OLD FILENAME<br>114739-E120 |

